

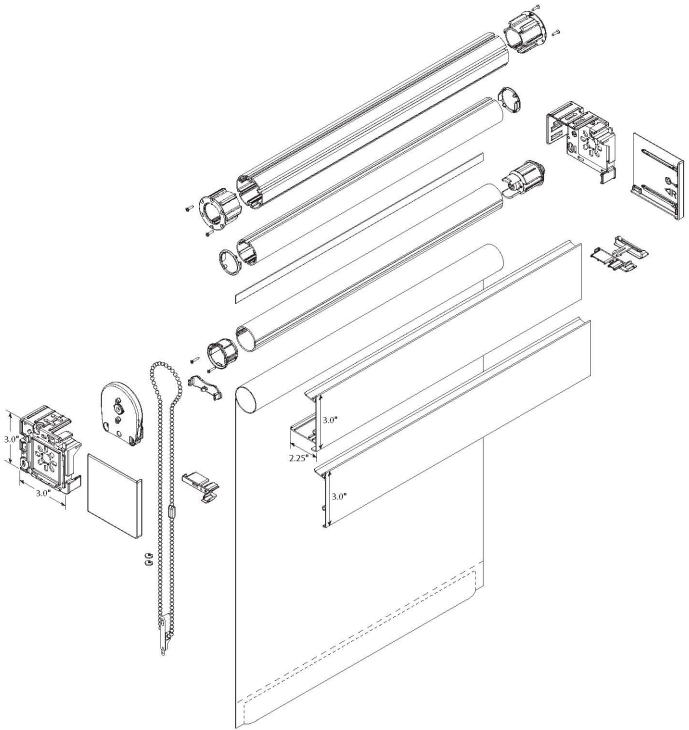


Installation Instructions

RB 500 Manual Roller Shades

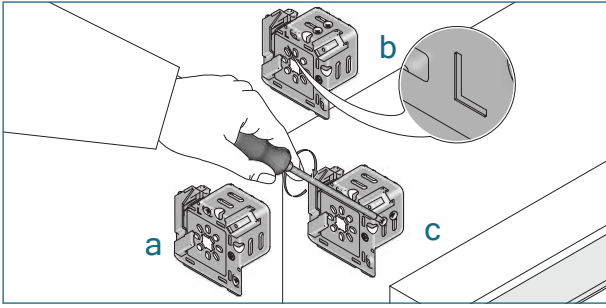
Standard Clutch With Fascia

5-31 Series-Chain Operation



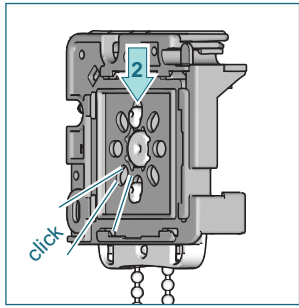
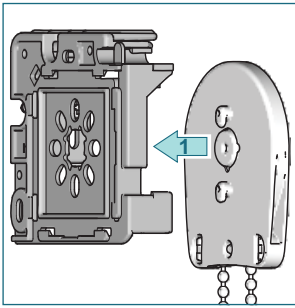
HunterDouglasHospitality

Installation

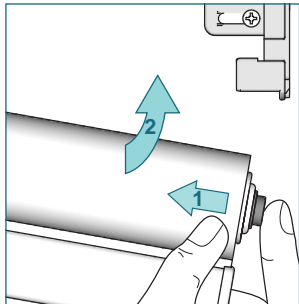
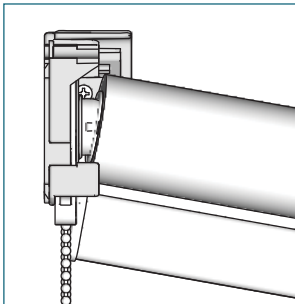


Install the brackets (L or R marked inside) with the screws provided.

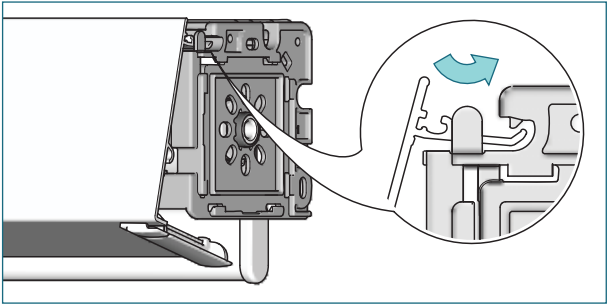
a) recess b) ceiling c) wall



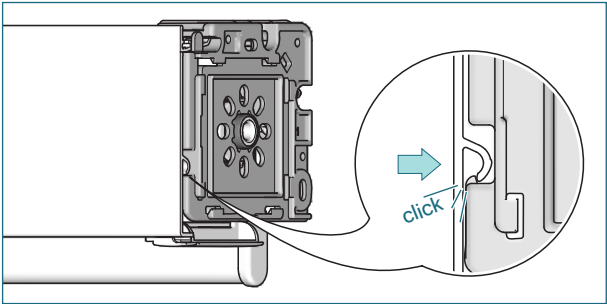
Place the clutch in the bracket (1) and slide it down until it clicks (2).



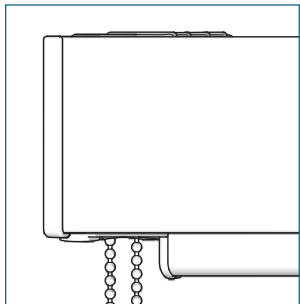
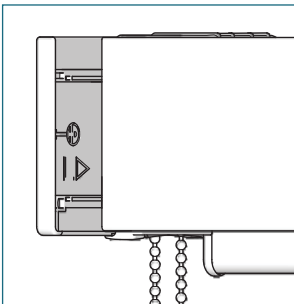
Place the tube on to the clutch head. Press the tube bearing plug (1), lift the shade & snap into bracket (2).



Place the fascia in the bracket. Make sure that the fascia slides under the nose of the bracket.

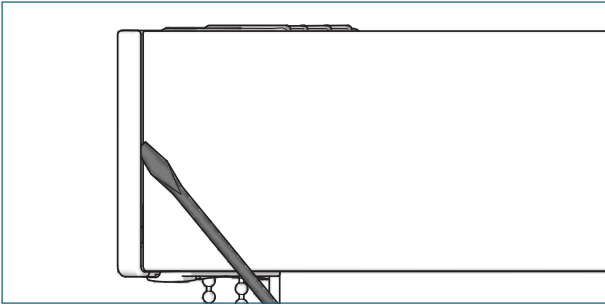


Push the fascia to snap it into the bracket.

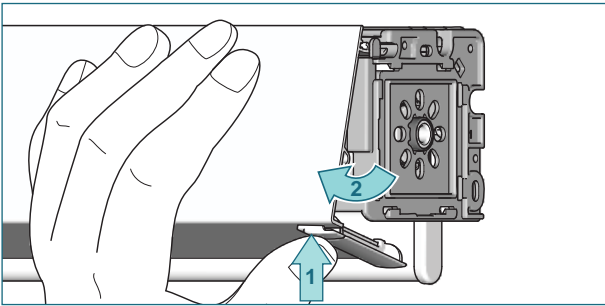


Slide the bracket covers onto the brackets.

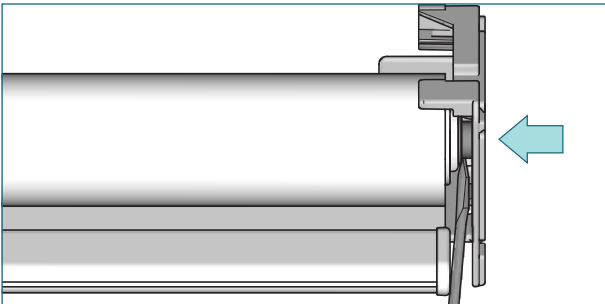
Removal



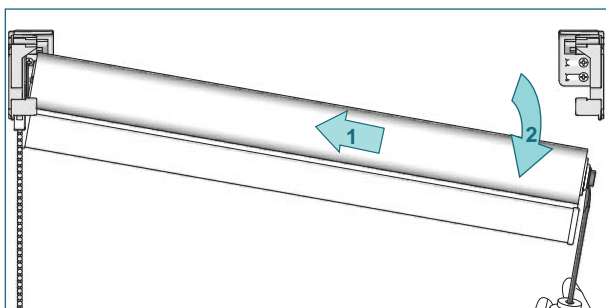
Place the screw driver under the bracket cover, turn the screw driver and slide the bracket cover from the bracket.



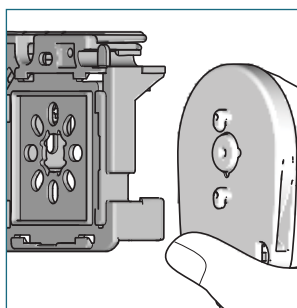
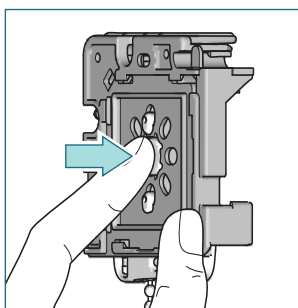
Press the bottom of the fascia upwards (1) and then pull it outwards (2).



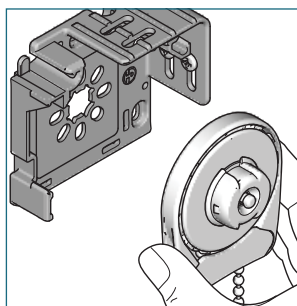
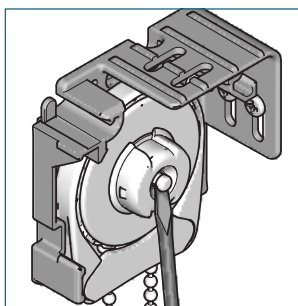
Slide a screw driver between the tube bearing plug and bracket and push the plug in the clutch direction.



Move the shade downwards out of the bracket.



Push the pin of the clutch and take the clutch out of the bracket.



Place a screw driver under the pin of the clutch and pull it outwards. Take the clutch out of the bracket.