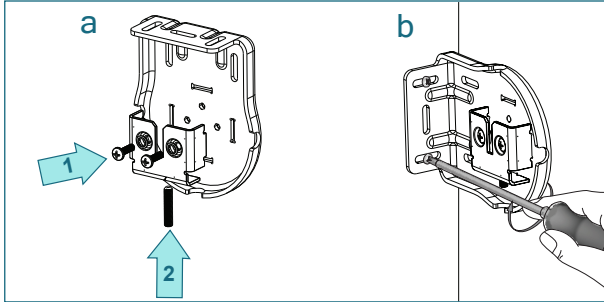


# Standard Bracket

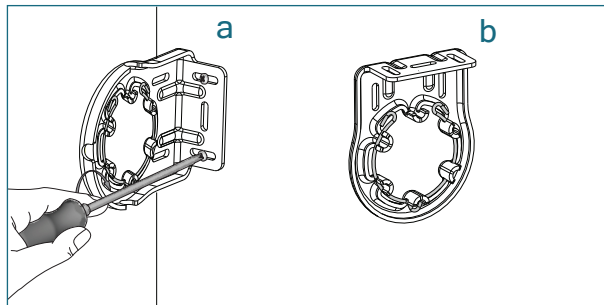
Roller Shades

## BRACKETS



Idle Bracket

1. Align the "U" shaped pin slot according to the mount type and secure with the two screws and lock washers provided.
2. Adjust the leveling screw as required, after the shade is installed.
3. Fix the idle bracket with the screws provided.  
a) ceiling mount b) wall mount



Motor Bracket

4. Fix the idle bracket with the screws provided.  
a) wall mount b) ceiling mount  
Do not remove the spring ring from the bracket.

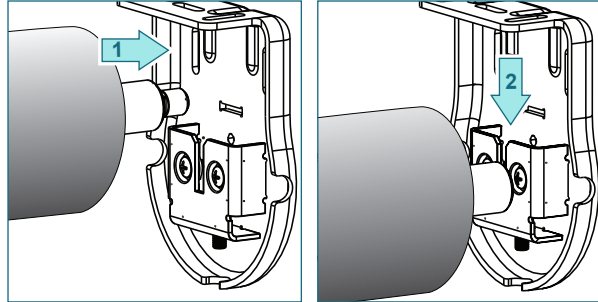
## TOOLS NEEDED

- Pencil
- Measuring Tape
- Phillips head screwdriver
- 2.5 Mm Allen key
- Pliers (for removal only)
- For leveling screw

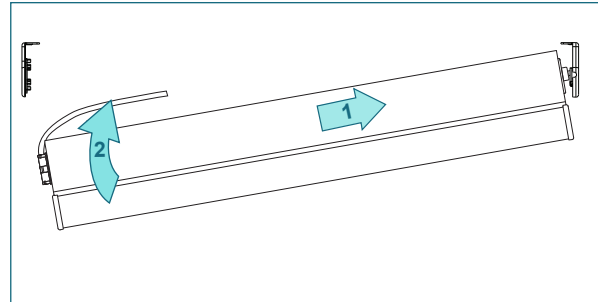
# Motorized Shade Installation

RTS 506 and 510 Motors

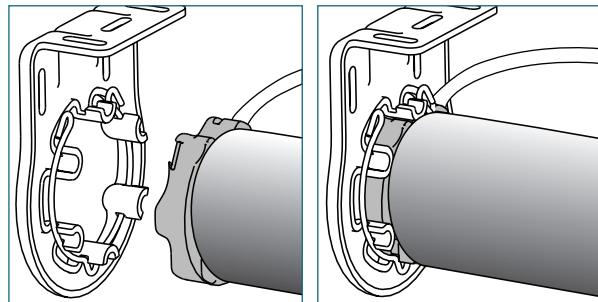
## SHADE



5. Place the roller shade with the idle end onto the bracket.



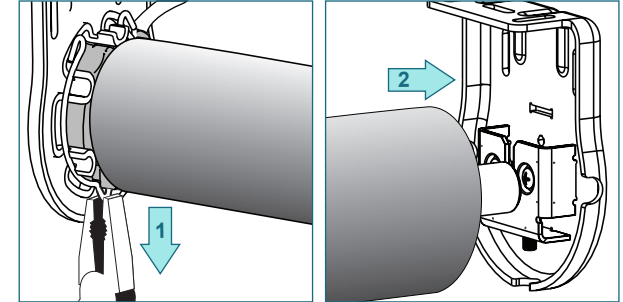
6. Push the shade against the idle end and lift the roller shade up...



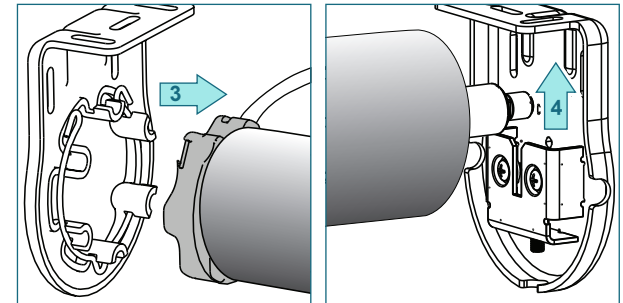
...until the motor head fits into the bracket with pressure. Ensure that the spring ring is inside the groove of the bracket and motor.

7. Connect and adjust the motor and controls in accordance with separately provided motor instructions

## REMOVAL



1. Disconnect the motor.
2. Use pliers to remove the spring ring and push the shade against the idle end...



- ...to remove the motor head from the bracket.
3. Next lift the idle end out of the bracket.