

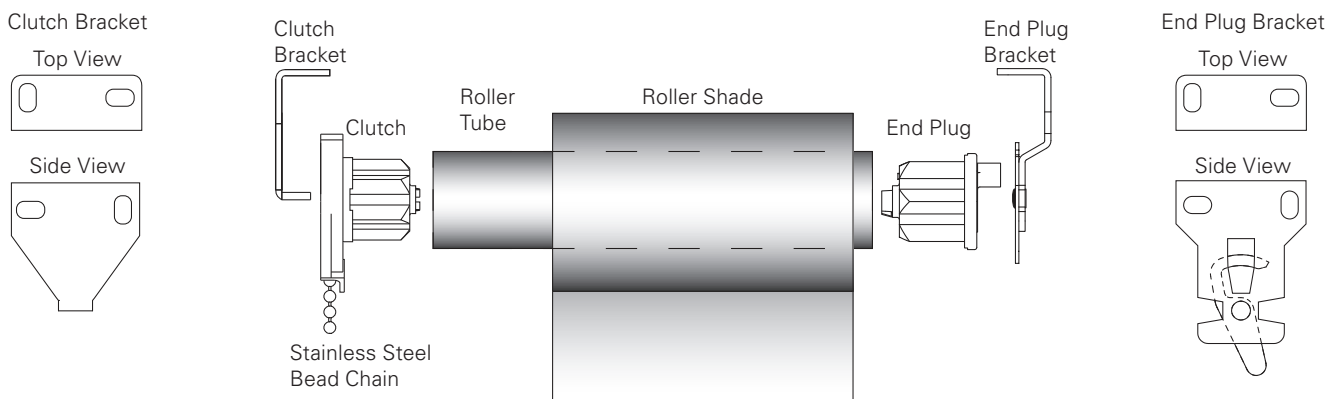
Standard Roller Shade Specifications

Simple, distinctive, and cost-effective, our running line roller shade offering and printed roller shade collections include a variety of performance fabrics. Fabrics range from light weight sheers to full blackout. We offer a full range of motorization options, colors and designs, all mounted on high-quality hardware.

FEATURES

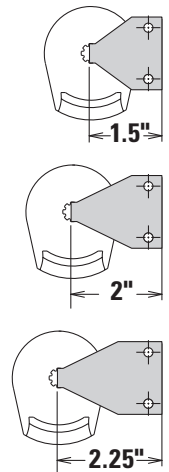
- Standard clutch system provides smooth, quiet, and easy lift capabilities
- Stainless steel chain loop operation with clear plastic chain tensioner, compliant with ANSI/WCMA A100.1-2012
- Inside, outside, or ceiling mount with steel mounting brackets
- Motorized operation available
- Roller shade tubes engineered to span large windows
- Dual brackets available
- Fascia available with single and dual shades
- Single fascia brackets are available in 3" or 4" depending on shade size
- Backed by our Lifetime Guarantee

STANDARD COMPONENTS



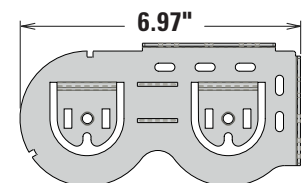
CLUTCH AND BRACKET SPECIFICATIONS

CLUTCH MODEL	SHADE WIDTH	MAXIMUM WEIGHT	TUBE DIAMETER	BRACKET PROJECTION AVAILABLE
R8	12" - 72"	8lbs.	1.125"	1.5" and 2"
R16	72.125" - 120"	16lbs.	1.5" - 2"	1.5" and 2"
G40	120.125" - 156"	40lbs.	2.5"	2.25"
R24 and R24 with spring assist	156.125" - 192"	40lbs.	3"	2.25"
SL20 Galaxy (Dual Bracket)	18" - 120"	16lbs.	2"	6.97"



NOTE

- G40 requires more chain due to greater gear ratio
- SL20 Galaxy is recommended for inside mount applications only

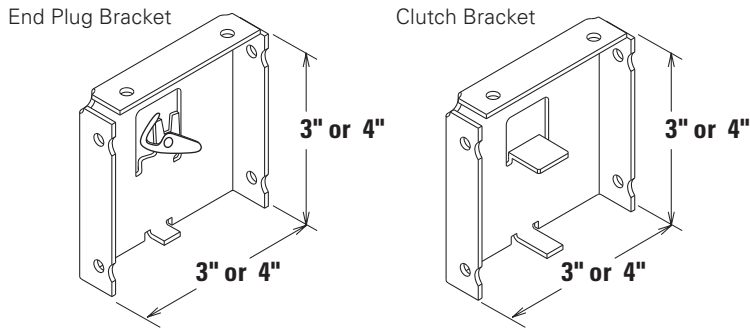


Fascia

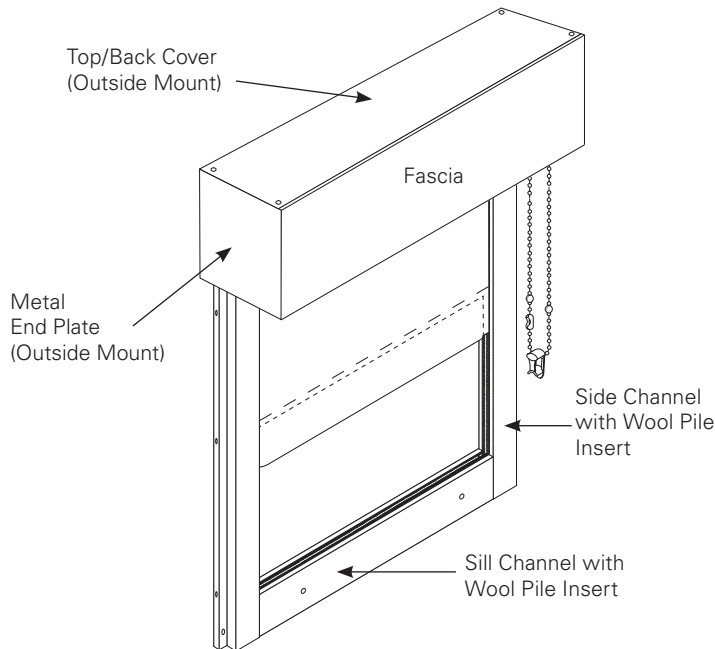
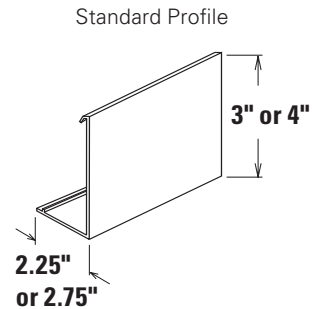
FEATURES

- Available on manual, motorized, and blockout system to prevent light leakage
- Standard color options: Aluminum, Black, Bronze, Vanilla, and White
- 3" or 4" standard with single shade brackets
- Dual brackets available
- Extruded pocket also available upon request

SINGLE FASCIA BRACKETS



FASCIA PROFILE



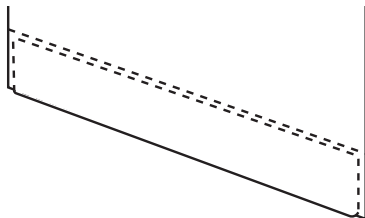
FASCIA WITH BLOCKOUT

- Top and back cover to prevent light leakage above the fascia
- 2.5" wide side channels with wool pile inserts
- 2.5" wide sill channels with wool pile inserts
- Metal end plates for outside mount
- Available with single and dual shades

Hembar

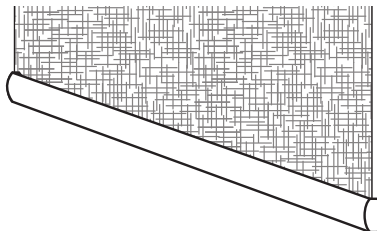
HEAT SEALED

- Extruded aluminum weight in a 2" sealed pocket
- No exposed hembar



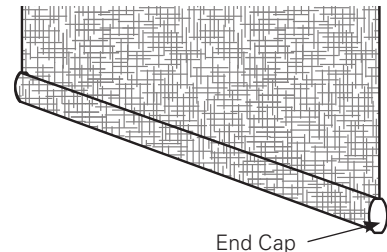
EXPOSED

- Exposed extruded aluminum
- Colors available: Anodized Aluminum, White, or Black



FABRIC WRAPPED

- Shade fabric is wrapped around the front of an aluminum extrusion with exposed end caps



NOTE

- The shade fabric determines the hembar type available
- Visit HDhospitality.com to see the most current fabric selection

Hunter Douglas Hospitality

Las Vegas • Chicago
800.229.5300
HDhospitality.com



0933SHTRSSPEC